

PARTS LIST		VANCS WASTEWATER PUMP			2/15/2018	
ITEM	PART No.	DESCRIPTION	QTY	SIZE	MATERIAL	NOTES
1	001-803-20	Cabtyre Cable Set (32')208/220V-60Hz(USA)	1	VCT4Cx1.25mm2	LBT	
2	143-000-33	Hex.Tapping Screw	2	M5x20	SUS304	
3	003-190-10	Gland	1		SUS316	
4	143-085-34	Pan Screw (w/Spring Washer)	1	M4x6	C3604	
5	009-001-25	Earth Terminal	1Set	AWG16x170L		
6	051-000-46	Head Cover	1		Resin	
7	140-000-07	Hex.Bolt (w/Plain Washer)	4	M6x30(22L)	SUS304	
8	122-004-18	O-Ring	4	P-6(5.8xd1.9)	NBR	*
9	143-000-07	Pan Screw	4	M5x132(20L)	SWRM	
10	053-446-19	Motor Protector 208/220V-60Hz(USA)	1	KA311-DAVL66	(T)	
	053-354-19	Motor Protector 460V-60Hz(USA)	1	KA311-DPVL74	(T)	
11	143-136-15	Truss Screw	2	M4x10	SWRM	
12	050-000-02	Motor Bracket	1		ADC	
13	121-001-46	Packing	1	d125.7xd134.7x6t	NBR	*
14	000-560-09	Stator(w/M.Frame) 208/220V-60Hz(USA)	1Set			
	056-008-05	Stator(w/M.Frame) 460V-60Hz(USA)	1Set			
15	071-000-01	Collar	1	37L	SECC	
16	142-000-91	Wave Washer	1	6201(D=30.6,t=0.35)	SK5	
17	052-100-15	Bearing	1	6201ZZC3		
18	055-002-86	Rotor	1Set	w/Bearing		
19	061-157-15	Bearing Collar	1	d15.1xd21x1.6t	SPCC	
20	052-101-16	Bearing	1	6202ZZC3		
21	060-001-36	Bearing Housing	1		ADC	
22	025-290-19	Mechanical Seal	1	W-14HL	SSiC	
23	030-000-01	Oil Lifter	1	VANCS2	Resin	
24	121-001-12	Packing	1	VANCS2	NBR	*
25	035-127-15	Oil Plug	1	M10x15	SUS304	
26	121-246-11	Packing	1	d10.3xd16x2t	PE	*
27	140-000-03	Hex.Bolt (w/Spring Washer)	4	M6x25	SUS304	
28	029-000-95	Oil Casing	1	VANCS2	Resin	
29	143-000-26	Truss Screw (w/O-Ring)	4	M6x20(P-5,NBR)	SUS304	
30	142-354-18	Conical Spring Washer	1	d11.2xd22.5x0.8t	SUS304	
31	021G2629	Impeller (60Hz)	1	50PU2.4-63	Resin	
32	143-140-12	Truss Screw (w/Plain Washer)	1	M6x12	SUS304	
33	122-000-07	O-Ring	1	122xd3.0	NBR	*
34	140-000-09	Hex.Bolt (w/Spring Washer)	2	M8x45	SUS304	
35	048-274-18	Screwed Flange	1	NPT-2(P.C.90)	Resin	
36	121-469-12	Packing	1	P.C.90xd58x2t	NR	*
37	020-000-05	Pump Casing	1	(40/50)PU2.25/.4/.75	Resin	

\* Indicates items included in set

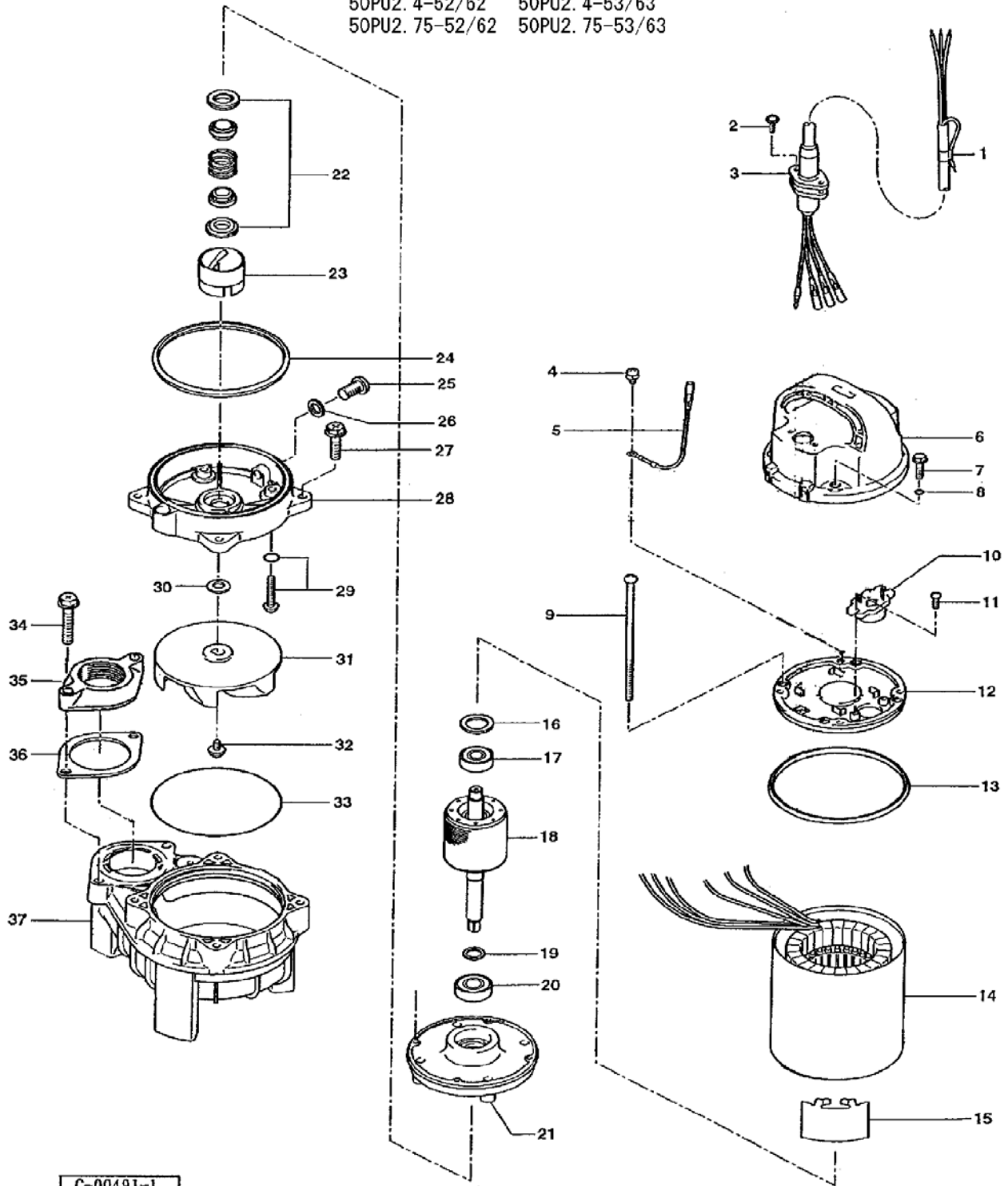
PARTS LIST		VANCS WASTEWATER PUMP				2/15/2018
ITEM	PART No.	DESCRIPTION	QTY	SIZE	MATERIAL	NOTES
	173-003-14	<b>Packing O-Ring Set</b>	1Set	(Marked by *)		
8	122-004-18	O-Ring (Head Cover Fixing Bolt)	4	P-6(5.8xd1.9)	NBR	*
13	121-001-46	Packing (Head Cover/M.Frame)	1	d125.7xd134.7x6t	NBR	*
24	121-001-12	Packing (M.Frame/O.Casing)	1	VANCS2	NBR	*
26	121-246-11	Packing (Oil Plug)	1	d10.3xd16x2t	PE	*
29	122-003-17	O-Ring (P.Casing Fixing Screw)	4	P-5(4.8xd1.9)	NBR	*
33	122-000-07	O-Ring (O.Casing/P.Casing)	1	122xd3.0	NBR	*
36	121-469-12	Packing (Screwed Flange)	1	P.C.90xd58x2t	NR	*
		Lubricant		Liquid Paraffin VG32 240ml		

## EXPLODED VIEW

PARTS LIST		VANCS WASTEWATER PUMP			2/15/2018	
ITEM	PART No.	DESCRIPTION	QTY	SIZE	MATERIAL	NOTES

## EXPLODED VIEW

40PU2. 25-52/62    40PU2. 25-53/63  
 50PU2. 25-53/63  
 50PU2. 4-52/62    50PU2. 4-53/63  
 50PU2. 75-52/62    50PU2. 75-53/63



C-00491-1